



Features

- Native XGA (1024 x 768) Resolution
- 3,000 ANSI Lumens, 10,000:1 High Contrast Ratio
- SmartEco™ Power Saving Technology
- Up to 7,000 Hours Lamp Life
- PointWrite Interactive Kit Compatible
- Wall Mount Included
- Full 3D Ready



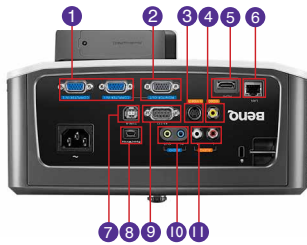
PointWrite Kit (PW01U)



Touch Module (PT01)



Input and Output Terminals



- | | |
|-----------------------------------|-----------------------------|
| 1 Computer in 1 & 2 (D-sub 15pin) | 7 USB (Type Mini B) |
| 2 Monitor Out (D-sub 15pin) | 8 PointWrite |
| 3 S-Video In (Mini DIN 4pin) | 9 RS232 (DB-9pin) |
| 4 Composite Video in (RCA) | 10 Audio In/Out (Mini Jack) |
| 5 HDMI | 11 Audio (L/R) |
| 6 LAN | |

Specifications

Projection System	DLP®
Native Resolution	XGA (1024x768)
Brightness	3,000AL
Contrast Ratio	10,000:1
Display Color	1.07 Billion Colors
Lens	F2.5, f=5.1mm
Aspect Ratio	Native 4:3 (5 aspect ratio selectable)
Throw Ratio	0.43
Image Size (Diagonal)	68"~85", Optimal 78"
Zoom Ratio	Fix
Lamp Type	230W
Lamp (Normal/Economic Mode)*	4000/5000/7000 hours
Keystone Adjustment	1D, Vertical +/- 40 degrees
Projection Offset	140% ±5%
Resolution Support	VGA(640 x 480) to UXGA(1600 x 1200)
Horizontal Frequency	15~102KHz
Vertical Scan Rate	23~120Hz
Compatibility	HDTV Compatibility: 480i, 480p, 576i, 576p, 720p, 1080i, 1080p Video Compatibility: NTSC, PAL, SECAM,
Interface	Computer in (D-sub 15pin) x 2 (Shared with component) Monitor out (D-sub 15pin) x 1 Composite Video in (RCA) x 1 S-Video in (Mini DIN 4pin) x 1 HDMI x 1 Audio in (Mini Jack) x 1 Audio out (Mini Jack) x 1 Audio L/R x 1 Speaker 10W x 2 USB (Type mini B) x 2 (PointWrite interactive module) USB (Type B) x 1 (FW download) RJ45 x 1 (LAN control) RS232 (DB-9pin) x 1 IR Receiver x 2 (Front)
Dimensions (WxHxD)	11.3" x 14.6" x 7.31" (w/o Mirror) 11.3" x 14.6" x 7.9" (w Mirror)
Weight	11.02 lbs (5KG) w/o wall mount
Power Supply	AC100 to 240 V, 50 to 60 Hz
Power Consumption	typical 290W, standby power <0.5W
Audible Noise	33/29 dBA (Normal/Economic mode)
Languages	Arabic/Bulgarian/ Croatian/ Czech/ Danish/ Dutch/ English/ Finnish/ French/ German/ Greek/ Hindi/ Hungarian/ Italian/ Indonesian/ Japanese/ Korean/ Norwegian/ Polish/ Portuguese/ Romanian/ Russian/ Simplified Chinese/Spanish/ Swedish/ Turkish/ Thai/ Traditional Chinese (28 Languages)
Picture Mode	Dynamic/Presentation/sRGB/Cinema/(3D)/User 1/User 2
Accessories (Standard)	Remote Control w/ Battery, Power Cord, User Manual CD Quick Start Guide, Warranty Card, VGA(D-sub 15pin) Cable Dust filter(C SKU), Wall mount installation guide
Accessories (Optional)	Spare Lamp Kit P/N: 5J.J8M05.011 3D Glasses (DGD24) P/N: 5J.J7L25.002 PointWrite Kit (PW01U) P/N: 5J.J8L26.20E PointWrite Pen Only P/N: 5J.J9A26.001 Touch Module P/N: 5J.J8L26.10E
UPC / Part #	8400460-3027-8 / 9H.J8M77.23A
Limited Warranty	3 Years Parts/Labor; 1 Year or 2,000 hours of lamp life.

*Lamp life results will vary depending on environmental conditions and usage. Actual product's features and specifications are subject to change without notice.



MX852UST 08-28-14-BQus



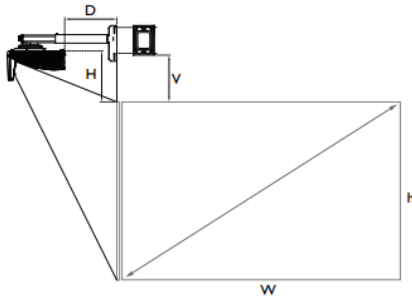
BenQ America Corp.
www.BenQ.us



Because it matters

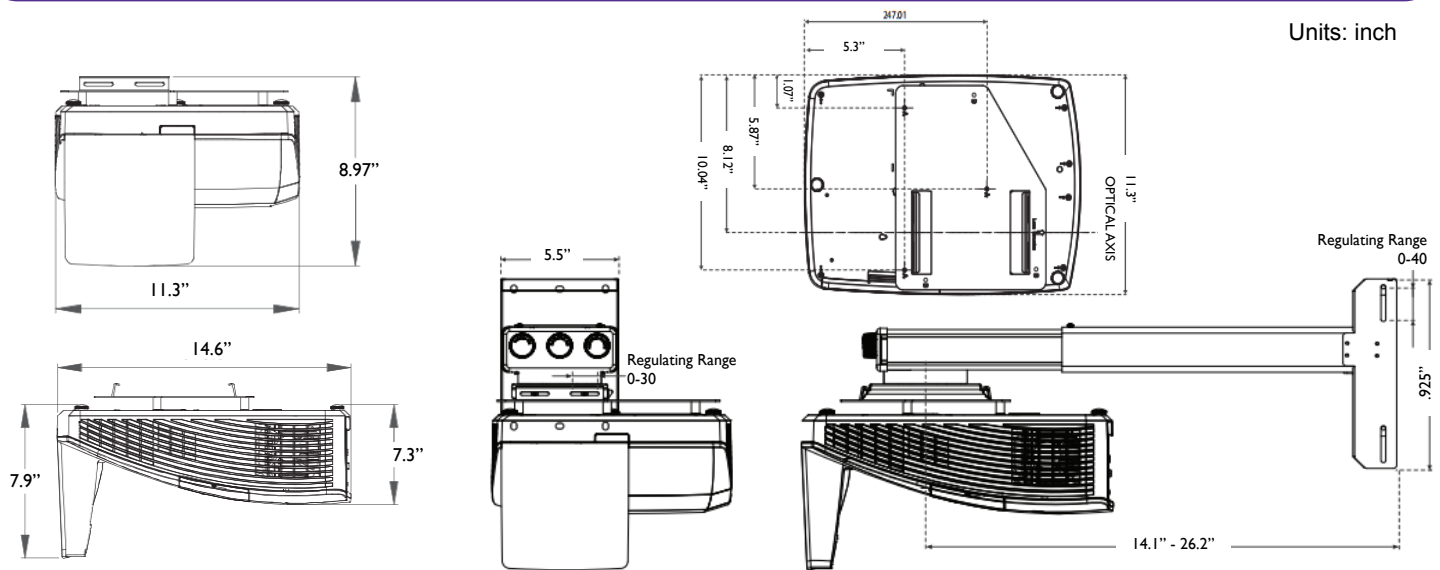
MX852UST Digital Projector

Distance Chart



XGA											
Screen size (Diagonal)		Screen size Width (W)		Screen size Height (h)		Projection distance (D)		Offset (H)		Scale parameter	Distance between Wall plate & projection screen (V)
inch	mm	inch	mm	inch	mm	inch	mm	inch	mm	inch	
68	1727	54	1382	40	1036	11.16	283.4	11.86	301.3	500	273.5
70	1778	55	1422	42	1067	11.91	302.4	12.15	308.5	515	280.7
75	1905	59	1524	45	1143	13.83	351.4	12.88	327.2	560	299.4
77	1956	61	1565	46	1173	14.62	371.4	13.18	334.8	585	307
80	2032	63	1626	48	1219	15.72	399.4	13.60	345.4	615	317.6
82	2083	65	1666	49	1250	16.51	419.4	13.90	353	635	325.2
85	2159	67	1727	51	1295	17.61	447.4	14.32	363.7	665	335.9

Ceiling Mount Chart



Units: inch

Dimensions



Units: inch



R & B COMPUTER SYSTEMS LTD.

力衡電腦系統有限公司

2749 3325

www.rnb.com.hk
rnb@rnb.com.hk

Unit 1009, Global Gateway Tower, 63 Wing Hong Street, Cheung Sha Wan, Kln., HK
香港九龍長沙灣永康街 63 號 Global Gateway Tower 1009 室